

MDX-OSC

Multiplexer Card

The MDX-OSC multiplexer card provides add and drop functionality of the optical supervisory channel when deployed with the Optelian MGT-2150 management card and platforms with integrated management.

Features

- OSC add and drop
- 1510 nm standard wavelength, with option for other wavelengths
- Passive optical monitoring on all line side ports
- Low loss, high isolation
- Bidirectional operation
- LC/PC connectors
- Supports extended temperature range for outside plant applications
- In-band and remote management application
- Installs easily in any active shelf

Compliance

- GR-63-CORE
- GR-1089-CORE
- GR-1221-CORE
- FCC

The MDX-OSC multiplexer card adds and drops the optical supervisory channel (OSC). Deployed in conjunction with Optelian's MGT-2150 management card and platforms with integrated management capability (MPX-9102, MPX-9105, MPX-9110, and OMS-2190), the MDX-OSC provides both in-band (DWDM) and out-of-band (1510 nm) management of Optelian systems.

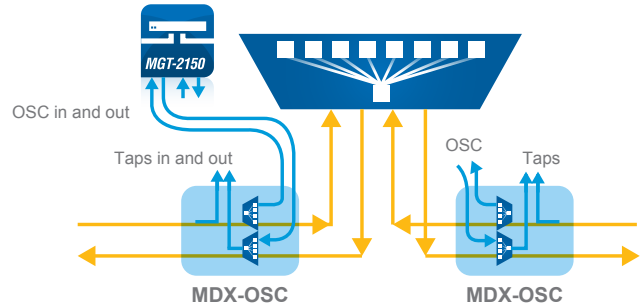
The MDX-OSC includes two line-side monitoring ports for installation and testing, and supports bidirectional two-fiber operation. The card installs into a single slot of any of the active shelves, and can be managed by the Optelian shelf and network management interfaces.

MDX-OSC

If a LAN infrastructure is unavailable, remote locations can be interconnected over the fiber network using an OSC wavelength. A bidirectional east and west optical service configuration is implemented using two pluggable OSC SFPs on a management card, and two MDX-OSC cards.

The standard OSC operates at 1510 nm, but pluggable optics allow any wavelength compatible with Optelian's multiplexer family to be used. MDX-OSC add/drop cards are available in any CWDM or DWDM wavelength through Optelian's quick-turn custom multiplexer program.

The MDX-OSC add/drop multiplexer includes two line-side monitoring ports (P3 and P7) for installation and testing.



Specifications

Parameter	Specification
Non-adjacent channel isolation	40 dB
Adjacent channel isolation	40 dB
Polarization dependent loss	0.1 dB maximum
Return loss	50 dB
Directivity	50 dB
Optical input power	27 dBm maximum
OSC operating wavelength	1511 nm +/-6.5 nm
Insertion loss - IN to OUT ports	1.0 dB maximum (includes loss for one connector)
Insertion loss - 1510 to IN and OUT ports	1.2 dB maximum (includes loss for one connector)
Insertion loss - monitor ports	19.0 dB typical (2% tap)
Power consumption	2 W maximum
Operating temperature	-40°C to 65°C (-40°F to 149°F)
Storage temperature	-40°C to 85°C (-40°F to 185°F)
Relative humidity	5% to 95% non-condensing
Power supply	-48 VDC nominal
Dimensions (H x W x D)	17.5 x 3.0 x 22.8 cm (6.9 x 1.2 x 9.2 in.)
Optical connectors	LC/PC

Ordering information

MDX-OSC	1004-2600	OSC 1510 nm Add/Drop Multiplexer
---------	-----------	----------------------------------

UNITED STATES

1700 Enterprise Way, SE, Ste. 101
 Marietta, GA 30067-9219
 T: +1 877 225 9428
 T: +1 770 690 9575

CANADA

1 Brewer Hunt Way
 Ottawa, Ontario K2K 2B5
 T: +1 613 287 2000
sales@optelian.com



optelian.com